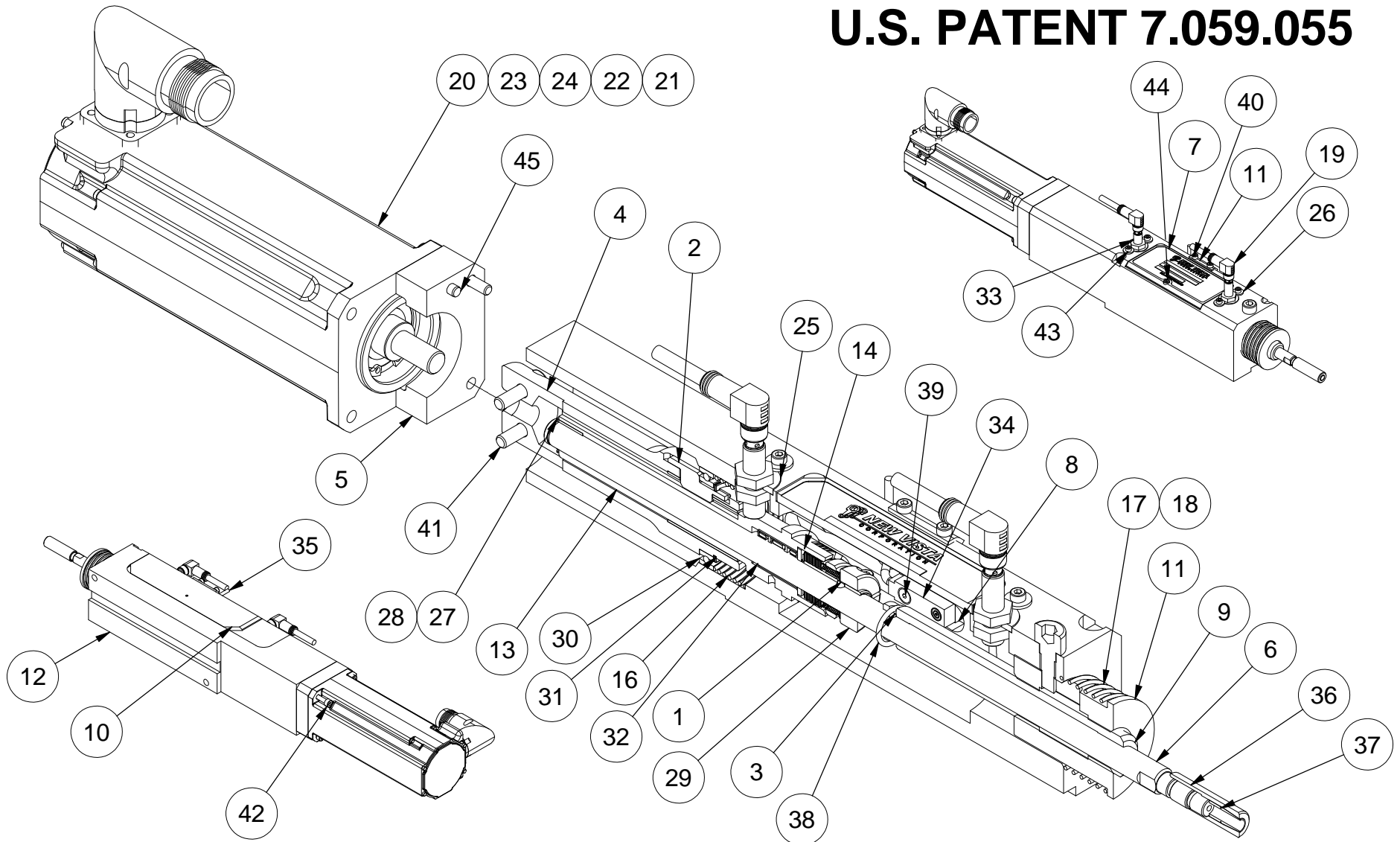


U.S. PATENT 7.059.055



TOLERANCES (EXCEPT AS NOTED)	REVISIONS		
	NO	DATE	BY
DECIMAL 3 PL. ± .005	1	3-6-07	SSM
DECIMAL 2 PL. ± .010	2		
ANGULAR ± 1'	3		
	4		
	5		



TVU-SK ASSEMBLY

CONFIDENTIAL AND PROPRIETARY
Not to be copied, published, disseminated and/or used without the express written permission of NEW VISTA CORPORATION

CUSTOMER		DATE	01/08/2007
DRAWN BY		DRAWING NO.	
SSM	SCALE	R6957 REV 1	
	NONE		