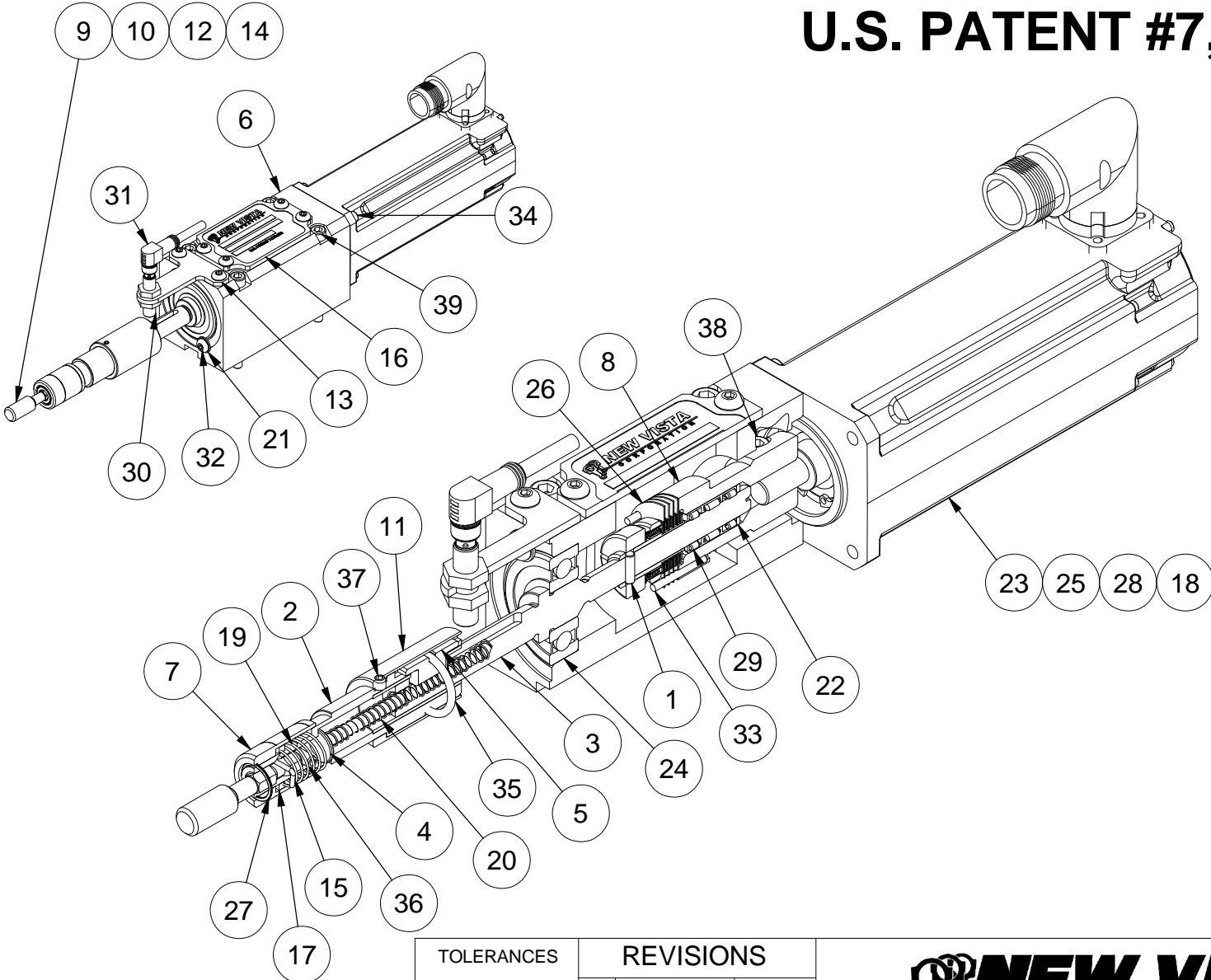


U.S. PATENT #7,059,055



CONFIDENTIAL AND PROPRIETARY

Not to be copied, published, disseminated and/or used without the express written permission of NEW VISTA CORPORATION

TOLERANCES (EXCEPT AS NOTED)	REVISIONS		
	NO	DATE	BY
DECIMAL 2 PL. ± .13	1		
	2		
DECIMAL 1 PL. ± .25	3		
	4		
ANGULAR ± 1'	5		



TVU - STH ASSEMBLY

MATERIAL		DATE	3/20/2007
DRAWN BY		DRAWING NO.	
SSM	SCALE	R6652-01	
	NONE		